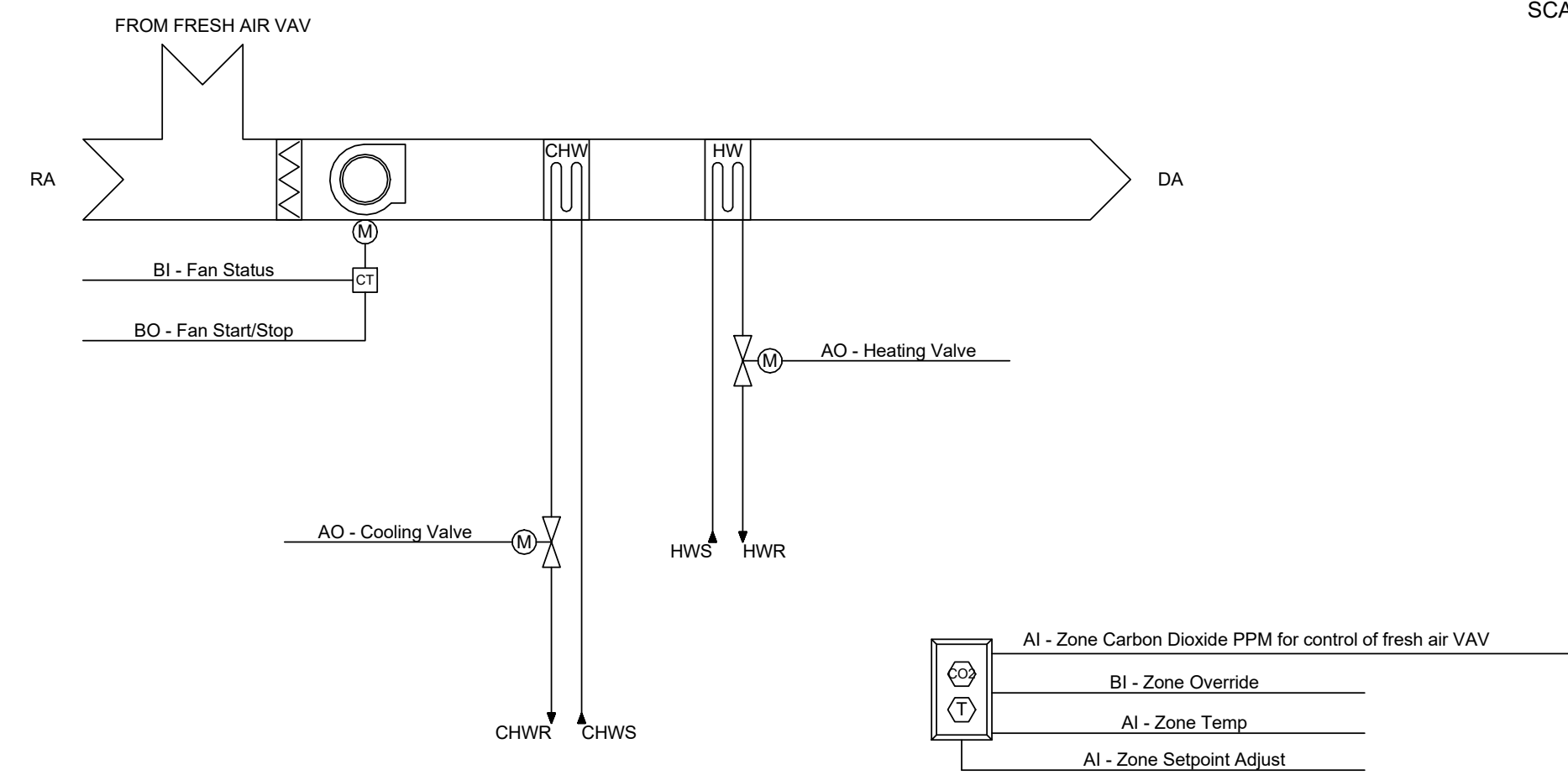
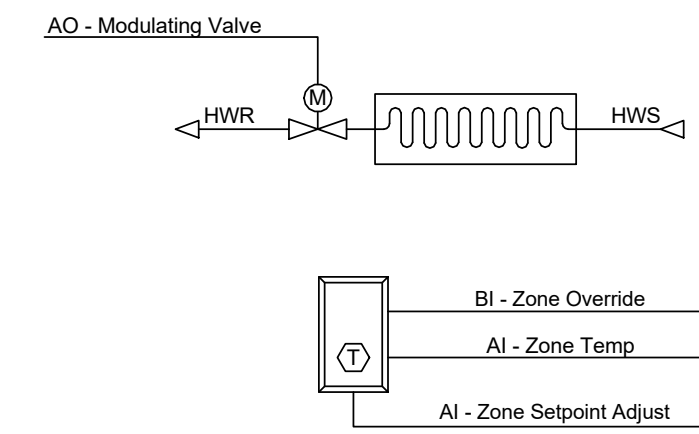


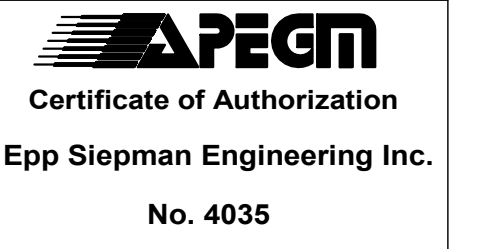
DHU-1 (POOL) CONTROL SCHEMATIC (CONSTANT FLOW)
 SCALE: N.T.S.



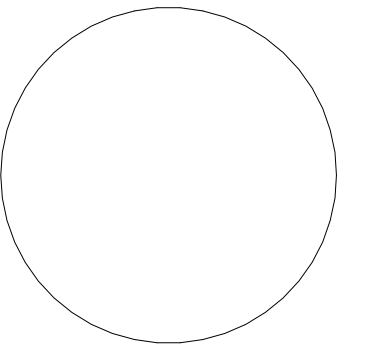
FOUR PIPE FAN COIL CONTROL SCHEMATIC
 SCALE: N.T.S.



ZONES WITH RADIANT PANEL ONLY SCHEMATIC
 SCALE: N.T.S.



This is a print of a document that has been electronically authenticated with technology authorized by the APEGM. The original is in electronic form.



This drawing must not be scaled. The contractors shall verify all dimensions and other data on site prior to commencement of work. Discrepancies, errors, and omissions are to be reported to Public City Architecture Inc. prior to proceeding with the Work.

Drawings and specifications as instruments of service are the property of Public City Architecture Inc., the copyright in the same being reserved.

No reproduction or revision to these drawings may be made without the permission of Public City Architecture Inc., and when made, must bear their name. All prints to be returned to Public City Architecture Inc. upon request.

Project
ST. JAMES CIVIC CENTRE

Drawing
MECHANICAL SCHEMATICS - CONTROLS

Drawn By:	Review By:
Author	Checker
Scale:	Tender No:
12" = 1'-0"	1176-2019
Date:	11/06/19
Sheet:	